

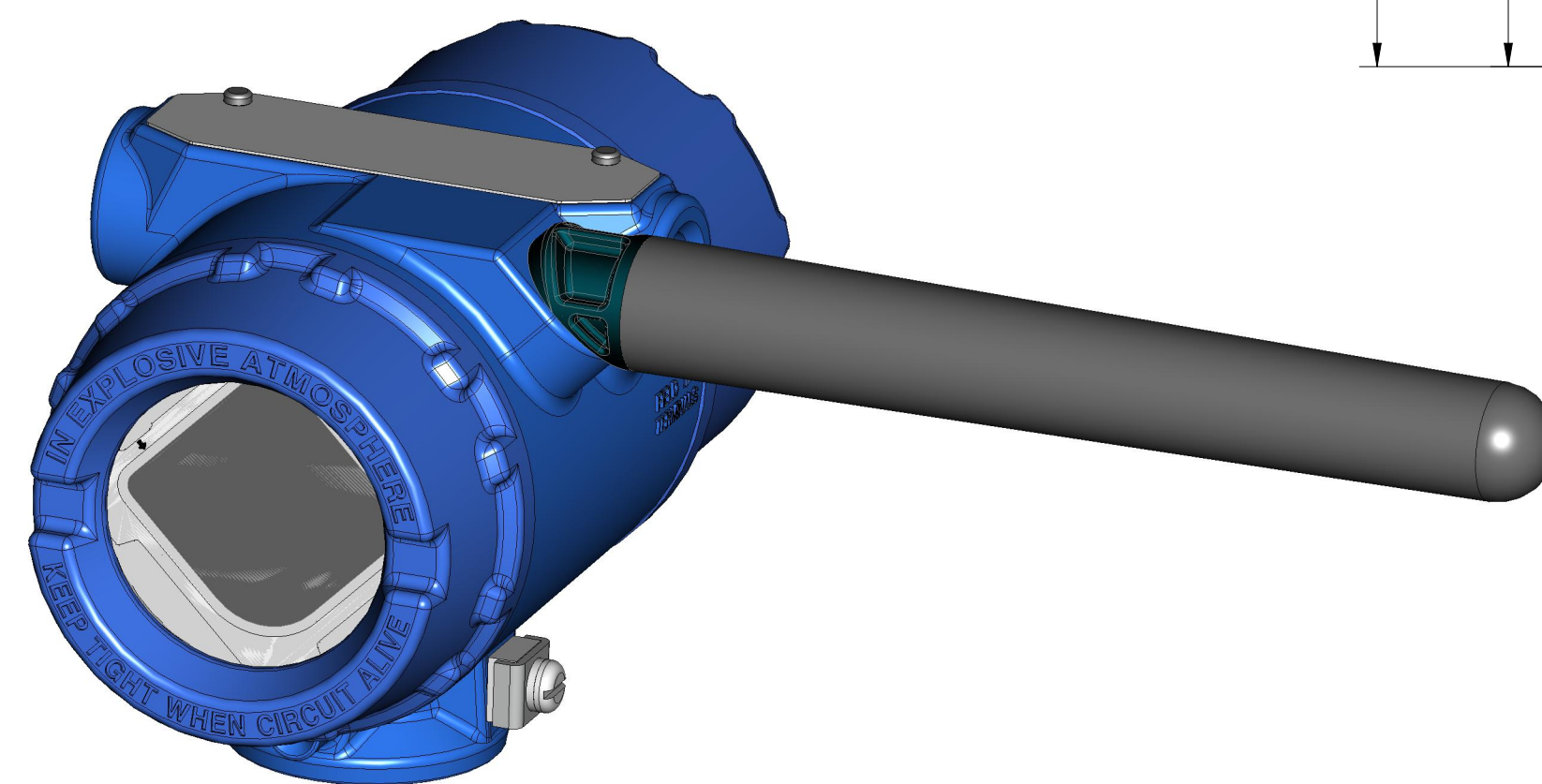
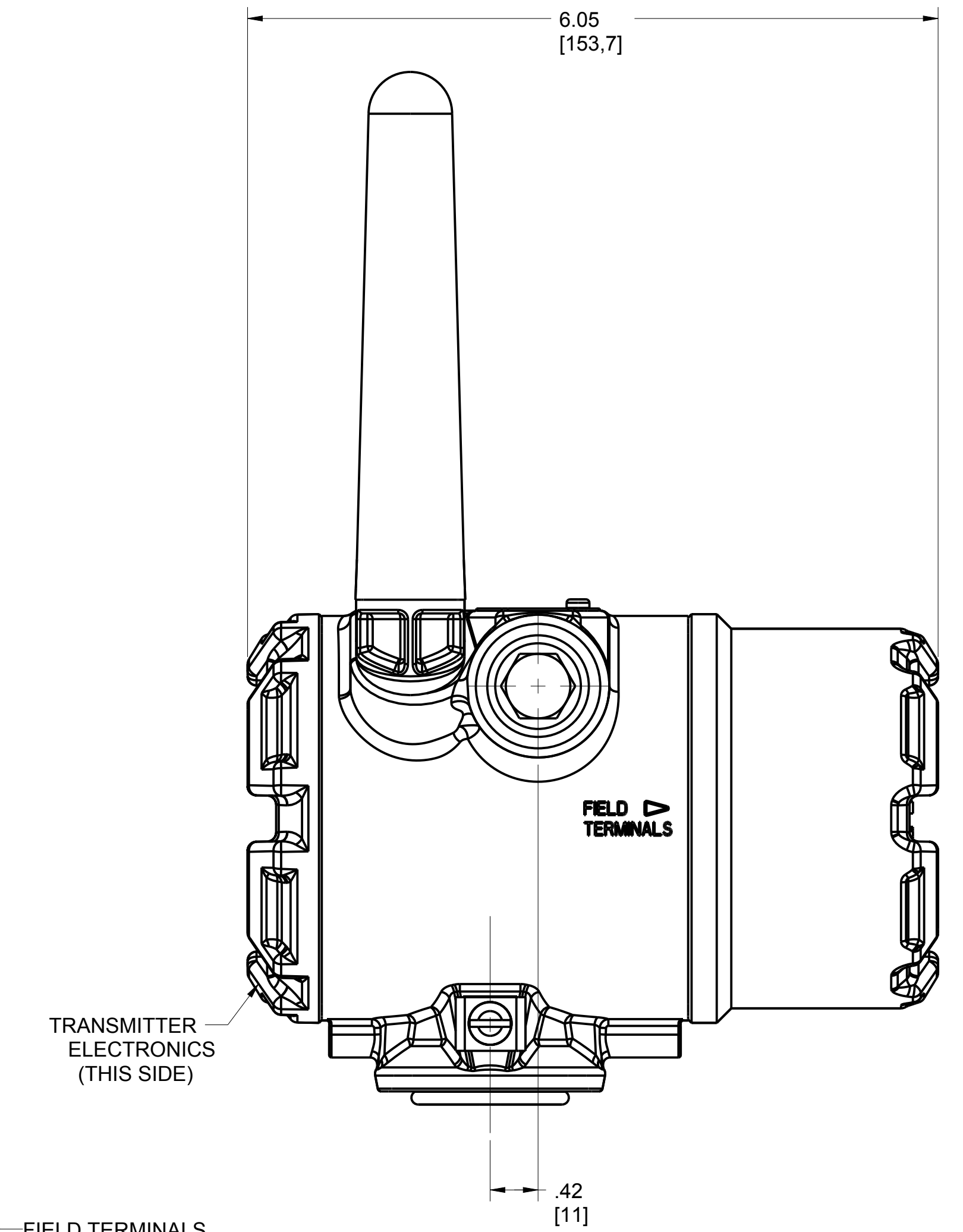
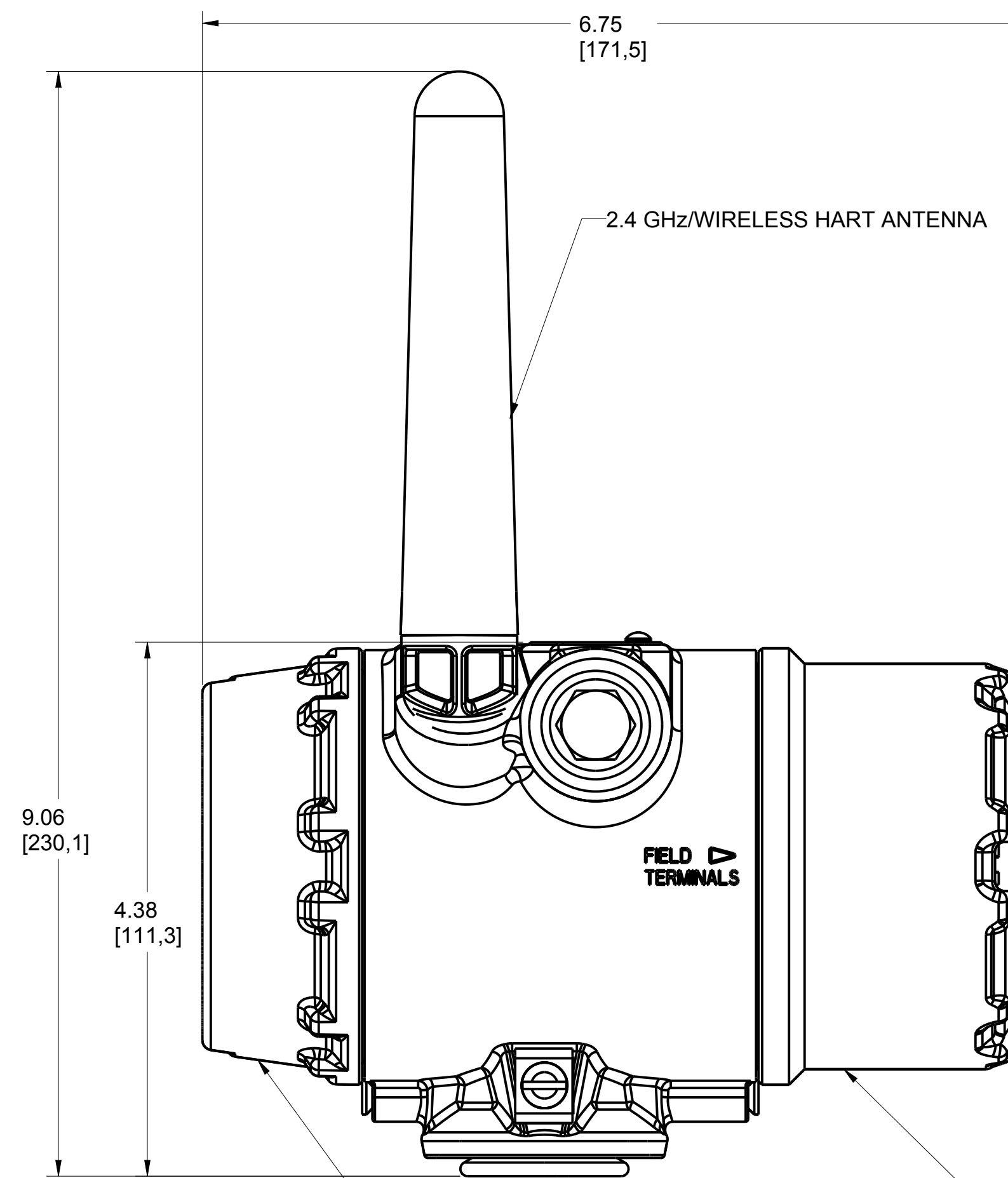
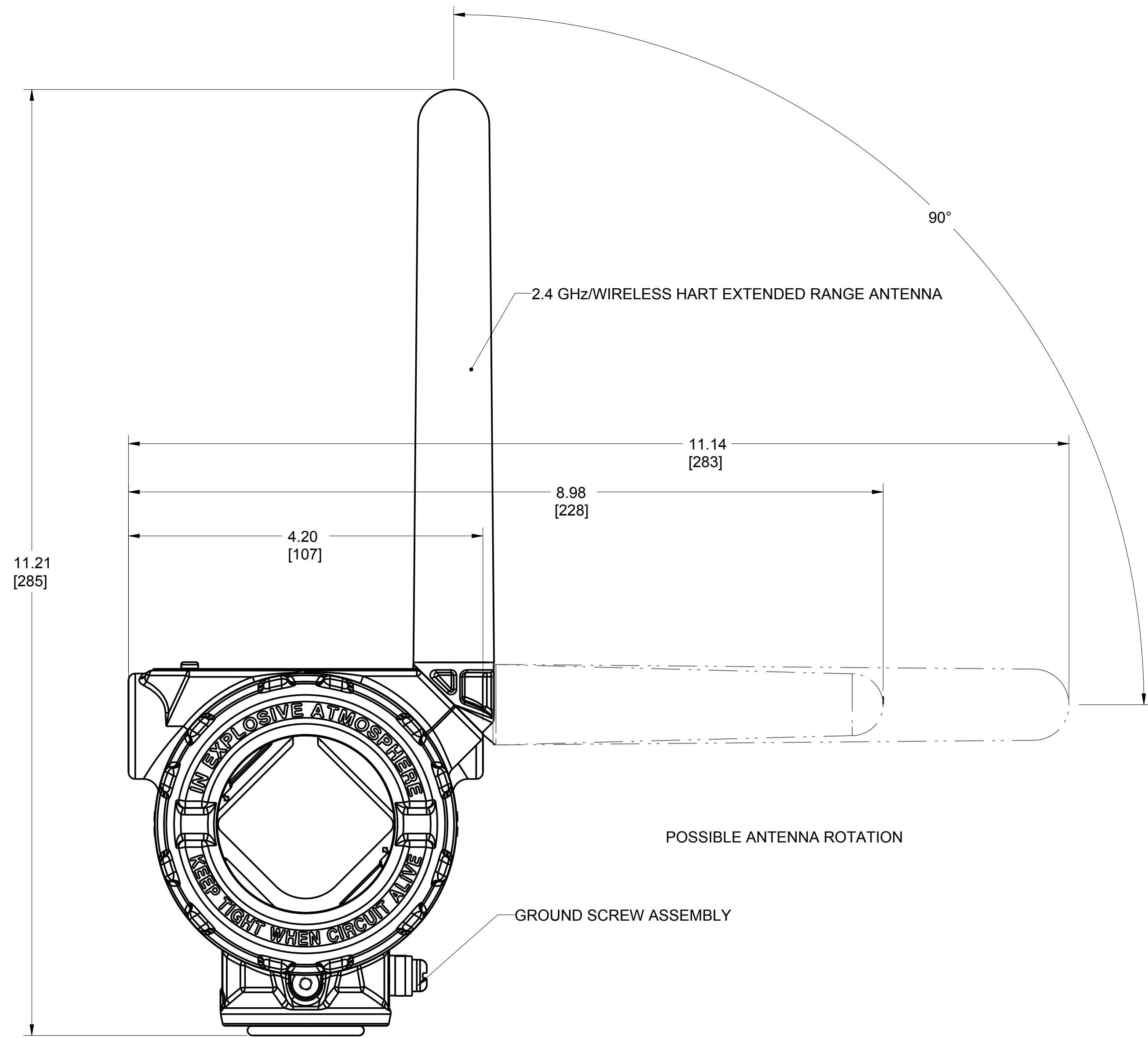
ROSEMOUNT 648 WIRELESS TEMPERATURE TRANSMITTER

REVISION TABLE			
REVISION	ECO NO.	APP'D	DATE
AG	RTC1071664	J. NUEHARTH	10/31/18
DESCRIPTION			
UPDATE ANTENNA LENGTH FOR STANDARD 2.4			

SHOWN WITH 2.4 GHz/WIRELESS HART EXTENDED RANGE ANTENNA

SHOWN WITH OPTIONAL DIGITAL DISPLAY AND 2.4 GHz/WIRELESS HART ANTENNA

SHOWN WITHOUT OPTIONAL DIGITAL DISPLAY



©2015 ROSEMOUNT INC. ROSEMOUNT INC. CERTIFIES THIS DRAWING IS IN ACCORDANCE WITH ROSEMOUNT ENGINEERING SPECIFICATIONS. UNIT NOTES IN INCHES (mm). REFERENCE ROSEMOUNT DRAWINGS FOR PRODUCT SPECIFICATIONS. CLICK HERE

EMERSON

TITLE ROSEMOUNT 648 WIRELESS TYPE I DRAWING

DR.	JLA	2/6/16	DRAWING NO.	00648-7000
APP'D	C. VUE	2/8/16		
CAD MAINTAINED, (PROE)			SHEET 1 OF 3	

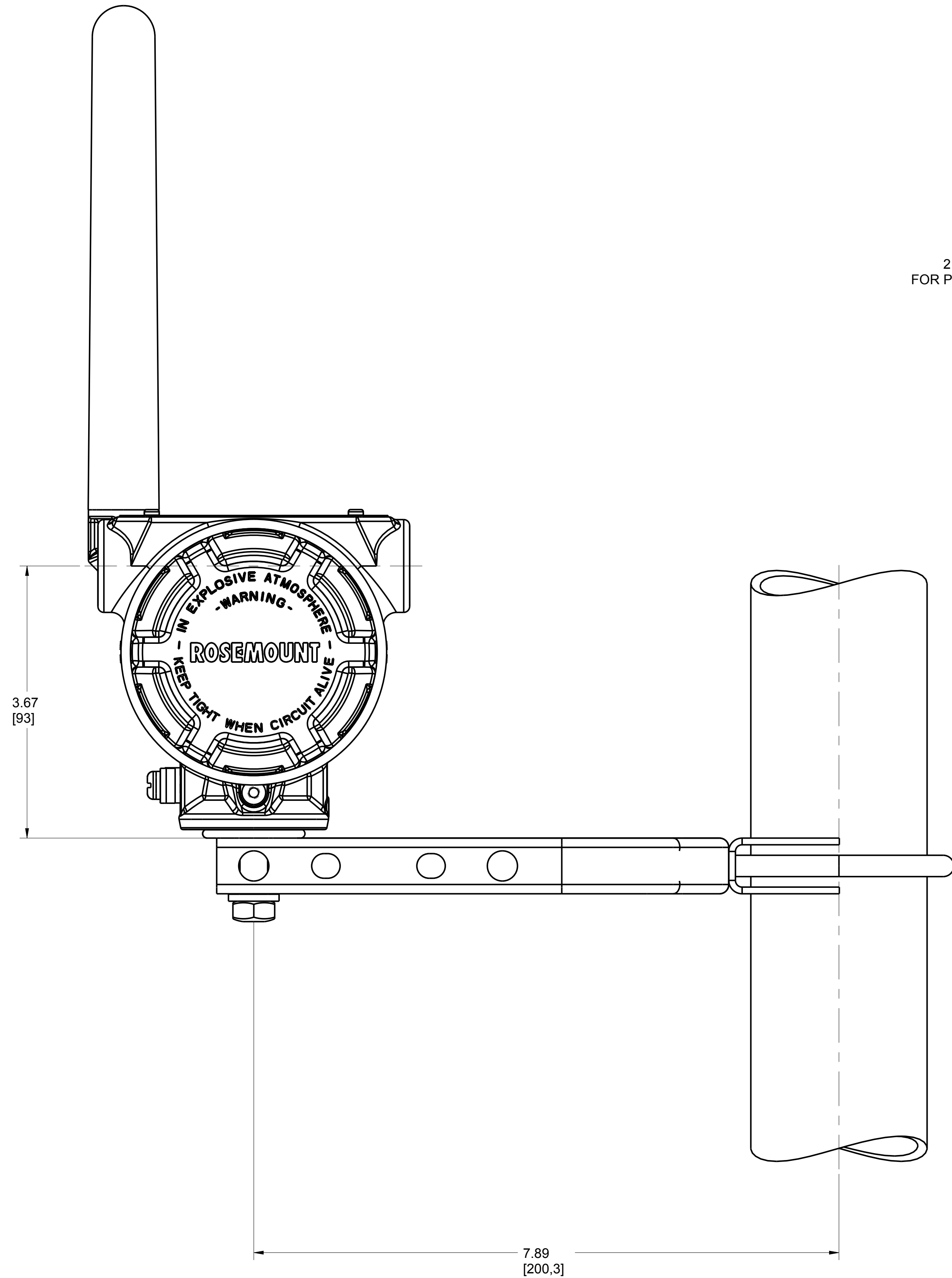
3RD ANGLE

SIZE D

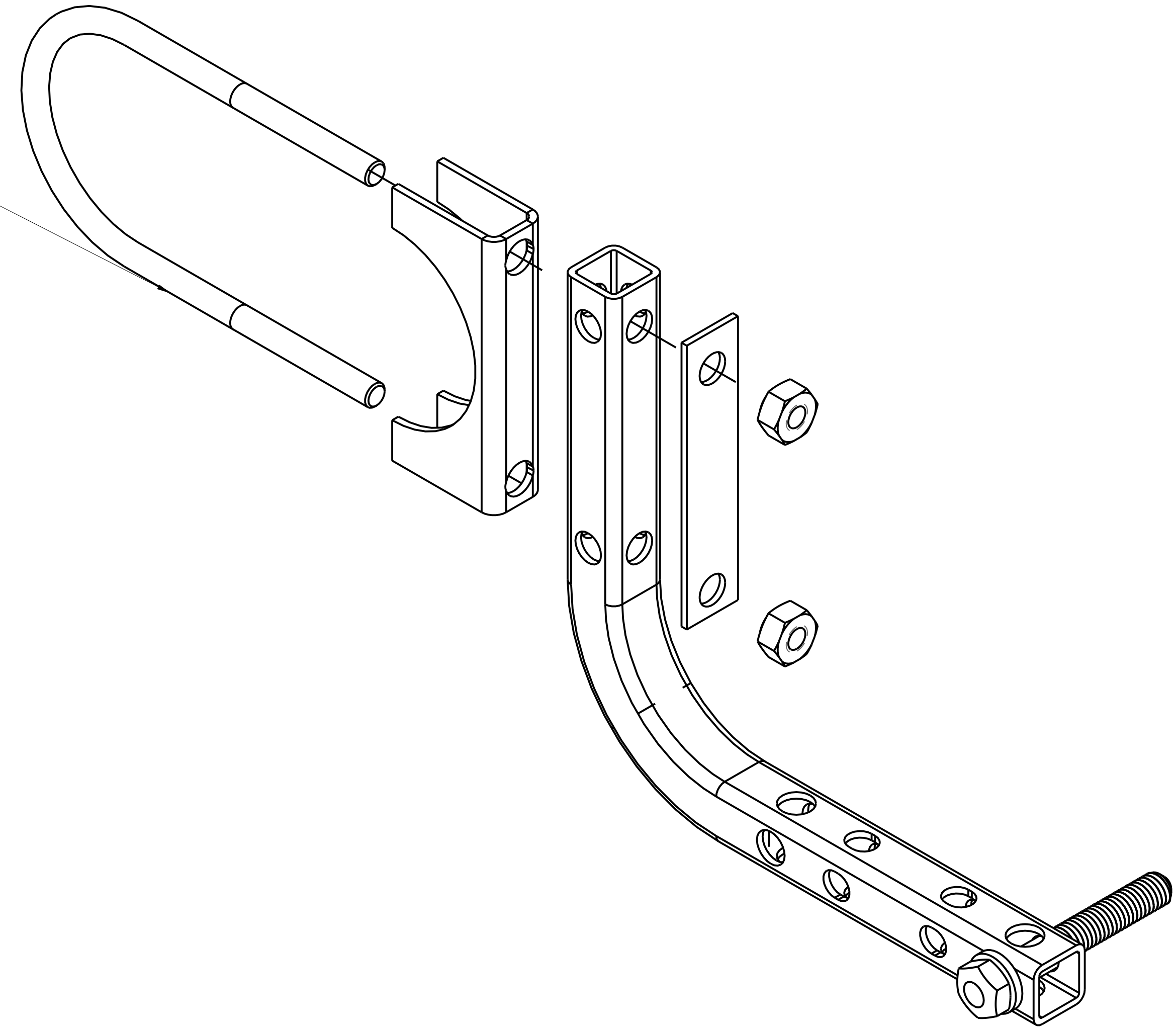
SCALE NTS

ROSEMOUNT 648 WIRELESS TEMPERATURE TRANSMITTER
MOUNTING CONFIGURATION WITH OPTIONAL MOUNTING BRACKET

PIPE MOUNTING



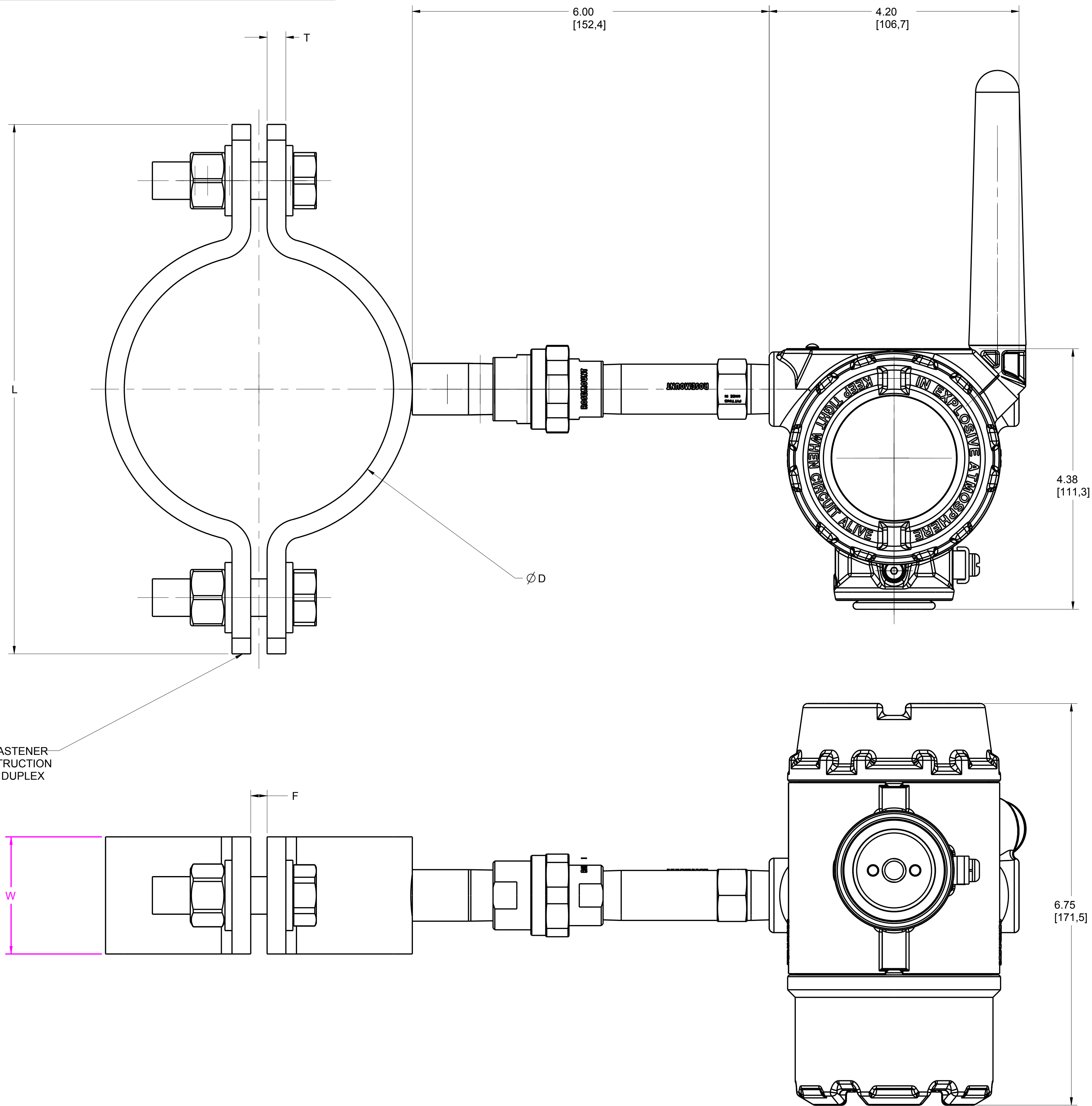
2 INCH U-BOLT
FOR PIPE MOUNTING



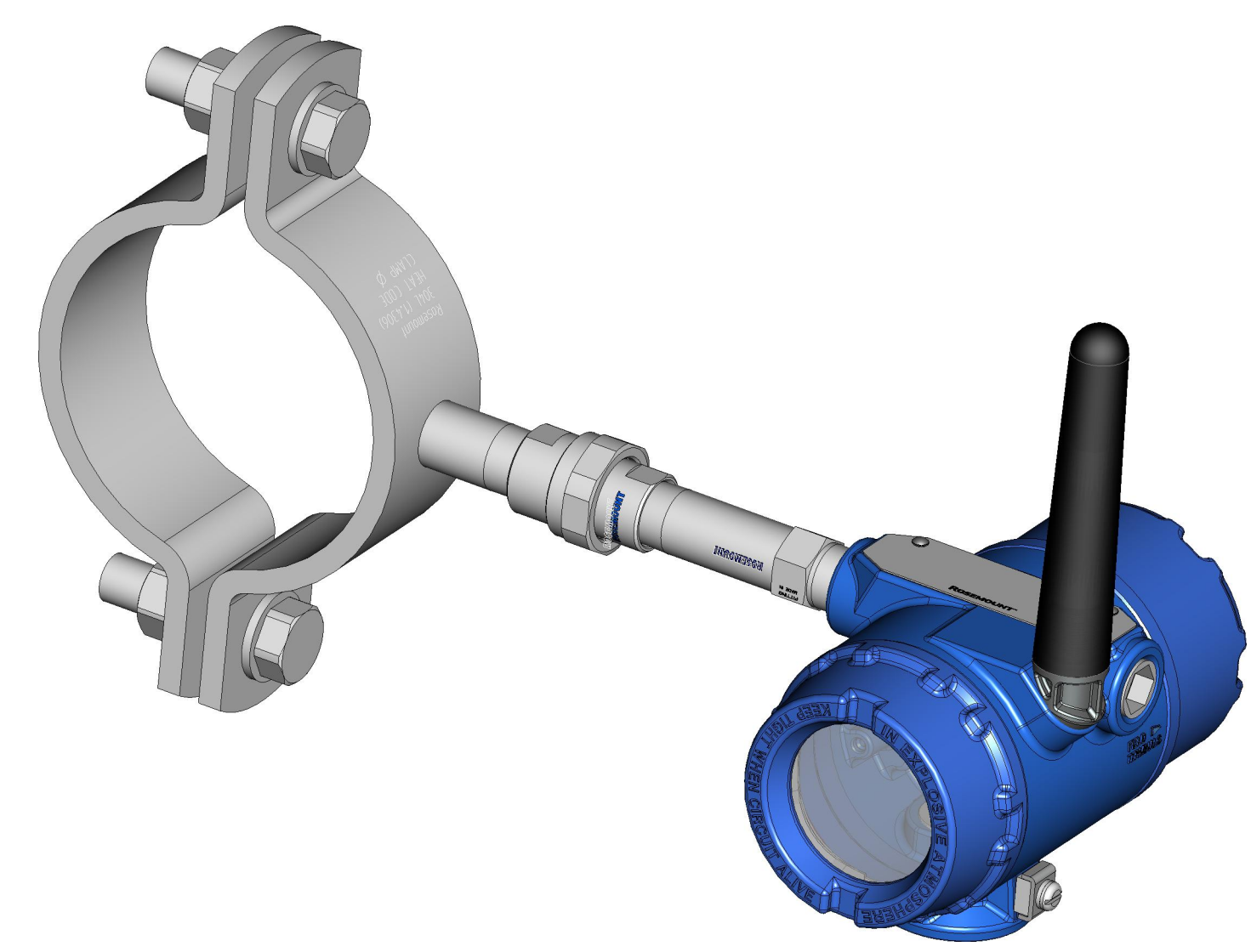
FOR TRANSMITTER MOUNTING

©2015 ROSEMOUNT INC. ROSEMOUNT INC. CERTIFIES THIS DRAWING TO BE IN ACCORDANCE WITH ROSEMOUNT ENGINEERING SPECIFICATIONS. UNIT NOTES IN INCHES (mm). REFERENCE ROSEMOUNT PRODUCT SPECIFICATIONS. CLICK HERE	3RD ANGLE	SIZE D	SCALE NTS
	TITLE ROSEMOUNT 648 WIRELESS TYPE I DRAWING		
	DR. JLA APPD C. VUE	2/6/16 2/8/16	DRAWING NO. 00648-7000

ROSEMOUNT 648 WIRELESS TEMPERATURE TRANSMITTER
MOUNTING CONFIGURATION WITH OPTION CODE PT



CLAMP & FASTENER
MATERIALS OF CONSTRUCTION
CARBON STEEL, 304SST, OR DUPLEX



4. PLEASE REFER TO DRAWING NUMBER 00085-7000 FOR MORE INFORMATION IN REGARDS TO DIMENSIONS D, L, T, F, AND W OF THE 0085 SENSOR ASSEMBLY
3. 0085 SENSOR ASSEMBLY IS REQUIRED WITH OPTION CODE PT

NOTES:

©2015 ROSEMOUNT INC. ROSEMOUNT INC. CERTIFIES THIS DRAWING TO BE IN ACCORDANCE WITH ROSEMOUNT ENGINEERING SPECIFICATIONS. UNIT NOTES IN INCHES (mm). REFERENCE ROSEMOUNT PRODUCT SPECIFICATIONS. CLICK HERE	3RD ANGLE	SIZE D	SCALE NTS
	TITLE ROSEMOUNT 648 WIRELESS TYPE I DRAWING		
	DR. JLA APP'D C. VUE	2/6/16 2/8/16	DRAWING NO. 00648-7000